

## BUKTI KORESPONDENSI

Judul Artikel : Adversity Quotient and Learning Interests to Mathematics Learning Achievement  
Nama Jurnal : JNPM (Jurnal Nasional Pendidikan Matematika)  
Link Artikel : <https://jurnal.ugj.ac.id/index.php/JNPM/article/view/5262/2816>  
Author Corespondensi : Edhy Rustan

Subjek: [JNPM] Keputusan Editor

HAPUS

edhy edhy rustan:

Kami telah mengambil keputusan mengenai naskah Anda untuk JNPM (Jurnal Nasional Pendidikan Matematika), "Adversity Quotient (AQ) and Learning Interests In Relation To Mathematics Learning Achievement".

Keputusan kami adalah: dibutuhkan revisi.

Anda dapat mengunduh dua hasil review melalui akun jnpm. Setelah login, klik dibagian status => klik proses review: revisi dibutuhkan => lihat peer review => download file reviewer A dan atau reviewer B. Perhatikan semua komentar reviewer dan perbaiki, beri tanda bagian yang sudah direvisi atau beri catatan dengan cara yang sama seperti reviewer.

Mohon dikirimkan kembali hasil perbaikannya dengan submit ke website ojs JNPM paling lambat tanggal 30 Juli 2021. Mohon balas email ini jika Saudara sudah upload perbaikan.

Hasil perbaikan dapat Anda submit kembali melalui akun Saudara di jnpm ke <http://jurnal.ugj.ac.id/index.php/JNPM>. Setelah login, klik dibagian judul lihat status => klik proses review: revisi dibutuhkan => => lihat keputusan Editor dan upload dibagian versi penulis (tanpa menghapus file apapun sebelumnya). Kemudian kirim pesan sudah diupload melalui halaman yang sama, dibagian beritahu editor. klik ikon seperti surat.

Muchamad Subali Noto  
(Scopus ID: 57193862720), Universitas Swadaya Gunung Djati, ([msnoto.ugj@gmail.com](mailto:msnoto.ugj@gmail.com)), Cirebon  
Telepon 08995810323  
[msnoto.ugj@gmail.com](mailto:msnoto.ugj@gmail.com)

-----  
Reviewer A:

Apakah judul artikel secara akurat mencerminkan kontribusi fokus utama dari artikel ini?:

Ya

Apakah abstrak sudah tepat dan memadai dari hasil penelitian tersebut?:

Tidak

Apakah artikel jelas, singkat, dan sistematis dengan baik?

:

Ya

Tingkat kontribusi terhadap bidang pendidikan matematika dalam artikel ini?:

Rata-rata

Nilai kualitas ilmiah dari artikel ini?:

Rata-rata

Apakah penulis menempatkan artikel dalam konteks yang tepat dengan mengutip artikel/sumber yang relevan?:

Ya

Apakah artikel bebas dari kesalahan, kesalahpahaman, atau ambiguitas yang jelas?:

Ya

Apakah artikel ditulis dalam bahasa Indonesia yang benar? :

Ya

Apakah referensi/daftar pustaka sudah sesuai gaya selingkung JNPM?:

Ya

Apakah gambar dan tabel sesuai dengan template JNPM, jelas, relevan, dan apakah keterangannya memadai?:

Tidak

Apakah panjang halaman artikel memadai?

:

Ya

Komentar dan saran reviewer untuk meningkatkan kualitas tulisan. (Jika tidak memungkinkan, silakan gunakan lembar terpisah atau salinan makalah untuk komentar dan saran untuk revisi. Tunjukkan apakah revisi wajib atau disarankan. Harap gunakan format jenis pengolah kata jika memungkinkan, lalu unggah dalam sistem atau kirimkan via email ke [jnpm.unwagati@gmail.com](mailto:jnpm.unwagati@gmail.com)):

Perlu revisi serius

Silakan tandai skala yang sesuai untuk nilai keseluruhan artikel ini! (Skor 7 atau lebih biasanya memberikan dasar untuk penerimaan JNPM):

4

---

JNPM (Jurnal Nasional Pendidikan Matematika)

<http://jurnal.ugj.ac.id/index.php/JNPM/>

Subjek: [JNPM] Keputusan Editor  
edhy edhy rustan:

Kami telah mengambil keputusan mengenai naskah Anda untuk JNPM (Jurnal Nasional

Pendidikan Matematika), "Adversity Quotient (AQ) and Learning Interests In Relation To Mathematics Learning Achievement".

Keputusan kami adalah: dibutuhkan revisi.

Anda dapat mengunduh dua hasil review melalui akun jnpm. Setelah login, klik dibagian status => klik proses review: revisi dibutuhkan => lihat peer review => download file reviewer A dan atau reviewer B. Perhatikan semua komentar reviewer dan perbaiki, beri tanda bagian yang sudah direvisi atau beri catatan dengan cara yang sama seperti reviewer.

Mohon dikirimkan kembali hasil perbaikannya dengan submit ke website ojs JNPM paling lambat tanggal 30 Juli 2021. Mohon balas email ini jika Saudara sudah upload perbaikan.

Hasil perbaikan dapat Anda submit kembali melalui akun Saudara di jnpm ke <http://jurnal.ugj.ac.id/index.php/JNPM>. Setelah login, klik dibagian judul lihat status => klik proses review: revisi dibutuhkan => => lihat keputusan Editor dan upload dibagian versi penulis (tanpa menghapus file apapun sebelumnya). Kemudian kirim pesan sudah diupload melalui halaman yang sama, dibagian beritahu editor. klik ikon seperti surat.

Muchamad Subali Noto

(Scopus ID: 57193862720), Universitas Swadaya Gunung Djati, ([msnoto.ugj@gmail.com](mailto:msnoto.ugj@gmail.com)),  
Cirebon

Telepon 08995810323

[msnoto.ugj@gmail.com](mailto:msnoto.ugj@gmail.com)

-----  
Reviewer A:

Apakah judul artikel secara akurat mencerminkan kontribusi fokus utama dari artikel ini?:

Ya

Apakah abstrak sudah tepat dan memadai dari hasil penelitian tersebut?:

Tidak

Apakah artikel jelas, singkat, dan sistematis dengan baik?

:

Ya

Tingkat kontribusi terhadap bidang pendidikan matematika dalam artikel ini?:

Rata-rata

Nilai kualitas ilmiah dari artikel ini?:

Rata-rata

Apakah penulis menempatkan artikel dalam konteks yang tepat dengan mengutip artikel/sumber

yang relevan?:

Ya

Apakah artikel bebas dari kesalahan, kesalahpahaman, atau ambiguitas yang jelas?:

Ya

Apakah artikel ditulis dalam bahasa Indonesia yang benar? :

Ya

Apakah referensi/daftar pustaka sudah sesuai gaya selingkung JNPM?:

Ya

Apakah gambar dan tabel sesuai dengan template JNPM, jelas, relevan, dan apakah keterangannya memadai?:

Tidak

Apakah panjang halaman artikel memadai?

:

Ya

Komentar dan saran reviewer untuk meningkatkan kualitas tulisan. (Jika tidak memungkinkan, silakan gunakan lembar terpisah atau salinan makalah untuk komentar dan saran untuk revisi. Tunjukkan apakah revisi wajib atau disarankan. Harap gunakan format jenis pengolah kata jika memungkinkan, lalu unggah dalam sistem atau kirimkan via email ke [jnpm.unwagati@gmail.com](mailto:jnpm.unwagati@gmail.com)):

Perlu revisi serius

Silakan tandai skala yang sesuai untuk nilai keseluruhan artikel ini! (Skor 7 atau lebih biasanya memberikan dasar untuk penerimaan JNPM):

## Adversity Quotient (AQ) and Learning Interests In Relation To Mathematics Learning Achievement

**Abstrak.** Tujuan penelitian ini untuk mengetahui hubungan Adversity Quotient (AQ) dan minat belajar terhadap prestasi belajar, serta faktor yang paling mempengaruhi prestasi belajar. Penelitian ini adalah penelitian kuantitatif, dengan menggunakan angket dan dokumentasi. Populasi dalam penelitian ini adalah seluruh siswa kelas XI SMK Negeri se-kota Palopo, dengan sampel sebesar 76 siswa. Teknik analisis yang digunakan adalah analisis statistik deskriptif, statistik inferensial (uji normalitas, uji homogenitas, uji hipotesis penelitian: statistik korelasi ganda) dengan metode analisis Structural Equation Model (SEM) berbantuan aplikasi AMOS [24]. Hasil penelitian menunjukkan bahwa ada hubungan *Adversity Quotient* (AQ) dan minat belajar terhadap prestasi belajar matematika siswa kelas XI SMK Negeri 2 Palopo secara simultan. Variabel *Adversity Quotient* (AQ) dan minat belajar berhubungan positif dan signifikan terhadap prestasi belajar ( $p < 0.05$ ). Variabel confidence memiliki hubungan yang paling besar yaitu 0,508 sedangkan hubungan yang paling kecil ditunjukkan oleh hubungan antara Interest dan Liveliness terhadap prestasi dengan koefisien 0,227. Dengan demikian, dalam meningkatkan prestasi belajar matematika siswa, tidak cukup hanya dengan minat melainkan membutuhkan adversity question (AQ) terutama aspek kepercayaan diri.

**Commented [WU1]:** Judul Bisa diperhalus lagi

**Commented [WU2]:** Kalau bisa ditambahkan 2 atau 3 kalimat pengantar sebelum tujuan

**Commented [WU3]:** prestasi belajar matematika

**Commented [WU4]:** prestasi belajar matematika

**Commented [WU5]:** Desain penelitian menggunakan apa?

**Commented [WU6]:** Anda bisa sedikit dideskripsikan ada berapa sekolah dan sampel diambil dari berapa sekolah

**Commented [WU7]:** sebaiknya langsung jelaskan aja teknik analisis menggunakan SEM. Tanpa menjelaskan uji prasyart  
Kalaupun ada uji prasarat anda harus cek lagi bener tidak uji prasarat SEM seperti itu

**Commented [WU8]:** Ini agak membingungan dg pernyataan di populasi dan sampel

**Commented [WU9]:** mohon dicek simbolnya

**Kata Kunci:** Adversity Quotient, Minat Belajar, Prestasi Belajar.

**Abstract.** The purpose of this study is to determine the relationship between Adversity Quotient (AQ) and interest in learning on learning achievement, as well as the factors that most influence learning achievement. This research is a quantitative study, using a questionnaire and documentation. The population in this study were all students of class XI SMK Negeri in Palopo city, with a sample of 76 students. The analysis technique used is descriptive statistical analysis, inferential statistics (normality test, homogeneity test, research hypothesis test: multiple correlation statistics) with the Structural Equation Model (SEM) analysis method assisted by AMOS 24 applications. The results show that there is a relationship between Adversity Quotient and interest in learning towards achievement. Simultaneously learning mathematics from class XI students of SMK Negeri 2 Palopo. The variable AQ and interest in learning were positively and significantly related to learning achievement ( $p < 0.05$ ). The confidence variable has the greatest relationship, namely 0.508, while the smallest relationship is shown by the relationship between Interest and Liveliness on achievement with a coefficient of 0.227. Thus, in improving students' mathematics learning achievement, interest is not enough but requires an AQ especially aspects of self-confidence.

**Keywords:** Adversity Quotient, Learning achievement, Learning interest.

## Introduction

Basically, mathematics learning achievement is influenced by various factors including internal factors, external factors, and learning approaches (U.S., 2015). In this case, one of the internal factors is the Adversity Quotient and interest in learning. Adversity Quotient (AQ) is a form of intelligence other than Intelligence Quotient (IQ), Spiritual Quotient (SQ), and Emotional Quotient (EQ). Darmawan, Budiyo, & Pratiwi (2019) state that the four types of intelligence are interrelated and contribute greatly to each other in an effort to achieve success. This shows that learning does not only require intellectual, emotional, and social intelligence but also requires intelligence in facing difficulties. Where the intelligence in question is Adversity Quotient (AQ).

Adversity quotient is often referred to as tenacity, which is one of the factors that greatly influence learning success (Nurhayati & Fajrianti, 2015; Qondias, 2016; Wardiana et al., 2014). There are several things that affect a person's AQ, including self-confidence, achievement motivation, self-esteem, and a sense of responsibility (Pangma et al., 2009). Operationally, AQ consists of 4 constructs that will determine a person's AQ level, namely control, ownership, reach, and endurance (Cornista & Macasaet, 2013). Control refers to the amount of control a person feels over an adverse event or situation. Someone with high AQ will feel control over the events that occur than those who have a low AQ so prefer actions that produce more control. Ownership is related to how someone looks for the causes of problems and how someone addresses these problems. A person with a lower AQ blames himself more without

**Commented [WU10]:** 1. Dibagian pendahuluan anda harus tunjukkan bahwa penelitian yang anda lakukan ada nilai kebaruannya.  
2. Tunjukkan juga permasalahan penting sehingga penelitian ini perlu dilakuk  
3. Anda juga harus tunjukkan GAP penelitian dengan penelitian sebelumnya

thinking about external causes. Ownership measures the extent to which a person is responsible for the difficulties faced. Ownership becomes a measure of accountability and the possibility of taking action. Reach is a manifestation of how far the difficulty reaches other aspects of a person's life. Meanwhile, endurance is a measure of a person's endurance which reviews how long the difficulties and their causes will last in a person's life.

AQ intelligence can predict a person's resilience and persistence in facing a challenge and then can turn it into an opportunity for greater achievement such as learning achievement (Effendi et al., 2015). AQ is used in understanding a person's adaptation to challenges or difficulties and encouraging them to maximize their potential to aggressively face challenges and meet expectations (Shen, 2014). In this case, AQ influences one's coping strategy in responding to the difficulties experienced by immediately overcoming problems and building self-confidence so that after passing these challenges a person becomes a more resilient person (Vinas & Aquino-malabanan, 2015). Furthermore, coping strategies will increase a person's motivation in facing challenges. Achievement motivation itself can be interpreted as a tendency or encouragement to endure a task that may be difficult or demanding to succeed, excel or achieve mastery (Thomas, 2012).

Apart from AQ, interest in learning also affects learning achievement (Islamiah, 2019). Interests are acceptance between oneself and other things outside of oneself, be it people, objects, situations or activities (Siagian, 2013). Interest increases when the relationship between oneself and the object is further strengthened, as well as with students' interest in learning. Interest is very influential on the learning process, because there is no attraction for him to take part in (Nini, 2011). When students are interested in a subject, the student is more involved in the learning process, looks for more and more information is conveyed. easily stored (Dan & Todd, 2014). Therefore interest is very important for a student, where interest can facilitate the creation of concentration, and the inherent lesson in students.

Based on the results of observations made by researchers at SMK Negeri 2 Palopo, there are student problems related to interest in learning. Boredom can be seen after trying two alternative solutions to the quadratic equation problems given by the teacher, but they haven't gotten the correct results. In addition, the results of preliminary observations also show the same problem with solving 2-variable linear equations that require several solutions. From the interview results, students felt that their concentration was often divided and distracted by other problems. Based on the results of an interview with a math teacher HN (37 years old), "students are actually bored when comparing with other alternatives to get results. For example, students who have quadratic equations have alternative solutions to four. "From the results of interviews with teachers, it was also obtained information that always found it difficult to calculate, especially on trigonometry, integral derivatives, and limits. "From the problem analysis, it is found that the main cause of the problem is a high level of accuracy and concentration in solving problems that tend to be long.

Beliefs and perceptions of one's own abilities affect one's motivation. A person chooses how to act or refrain or even survive in the learning process to achieve a certain goal influenced by motivation (Erten & Burden, 2014). In other words, motivation determines one's steps in action. Self-motivation is obtained from students' interest and self-efficacy (Rotgans & Schmidt, 2011). The success of students in the teaching and learning process also depends on how these students are able to be consistent. Students who are consistent will be able to adjust their attitudes and behaviors to the expected goals.

The real manifestation of talents and abilities is achievement because talent and ability determine one's achievement. People who have mathematical talent can be predicted to be able to achieve outstanding achievements in the field of mathematics. The outstanding achievements in mathematics are a reflection of the special talents possessed in that field. This means that the learning achievements obtained by these students are below the potential or intellectual talents they actually have. Therefore, to get an achievement it takes hard work.

Several previous studies have examined the relationship between AQ and interest in learning on student achievement. Among them, the study of the determination between AQ and social studies learning outcomes by Qondias (2016) found that social studies learning outcomes were directly contributed by AQ with a determination value of 11.3%. Nurhayati & Fajrianti (2015) research examines the effect of adversity quotient and achievement motivation on students' mathematics learning achievement. Research on the relationship between adversity quotient and interest in learning mathematics in Class V SD conducted by Wardiana, Wiarta, & Zulaikha (2014). In this study, it was found that AQ and interest in learning have an influence on the mathematics learning achievement of grade V SD students. Research on the relationship between adversity quotient and interest in learning on mathematics learning outcomes for Class XI IPA by Arby & Ariyanto (2016) also obtained the same results, namely AQ and interest in learning affected student mathematics learning outcomes. However, no one has examined the relationship between AQ and interest in learning on mathematics learning achievement of SMK students. Based on the description of these problems, this study aims to determine the relationship between Adversity Quotient (AQ) and interest in learning towards learning achievement, as well as the factors that most influence learning achievement

## Method

The method used in this research is ex-post facto research with a quantitative approach. The population in this study were students of SMK in Palopo city, while the sample in this study was SMK Negeri 2 Palopo as many as 177 students who were obtained by random sampling method and Slovin formula with an error of 0.05. The

**Commented [WU11]:** Secara etika penelitian memang sebaiknya tidak boleh menyebutkan nama sekolah secara langsung

**Commented [WU12]:** Ini membingungkan anda berbicara populasi seluruh SMK di palopo tetapi hanya mengambil sampel di SMK N 2 Palopo. Apa alasannya dan teknik sampling apa yang anda gunakan



instrument in this study used a questionnaire and student scores. There are 2 types of questionnaires, namely, Adversity Quotient (AQ) and student interest in learning, the measuring tool used is the Likert scale. The answer category consists of 5 alternative answer choices, namely: Always (S), Often (Sr), Sometimes (KK), Rarely (J), and Never (TP). The scale of the statement about Adversity Quotient (AQ) and student interest in learning for each item is given according to the student's choice, namely for positive statements the score is S = 5, Sr = 4, KK = 3, J = 2 and TP = 1 while for The negative statement score is TP = 5, J = 4, KK = 3, Sr = 2 and S = 1. The questionnaire indicators can be seen in table 1.

Table 1. Indicators of the Adversity Quotient (AQ) Questionnaire and Learning Interests

No.	Questionnaire Indicators	
	Adversity Quotient (AQ)	Learning Interest
1	Achievement motivation (X11)	Interest (X21)
2	To be responsible (X12)	Attention (X22)
3	Confidence (X13)	Liveliness (X23)

From these indicators, it is derived into statement items with 10 each variable, consisting of 5 negative statements and 5 positive statements. In order to validate this questionnaire, Alken's statistical formula was used and the instrument reliability test used the Alpha Cronbach formula. The results of the validity calculation show that the mean value of validity is 0.78. This means that the Adversity Quotient (AQ) questionnaire and interest in learning have a very adequate level of validity (Valid). Reliability results show that for the Adversity Quotient (AQ) questionnaire, the coefficient  $R_{11} = 0.264$ , while for the interest in learning questionnaire, the coefficient  $R_{11} = 0.219$ . Because the two variables have an  $R_{11}$  value greater than  $r$  table 0,190, the questionnaire item is said to be reliable. Apart from using a questionnaire, researchers also collected data with documentation. The purpose of this is to obtain direct data from SMK Negeri in Palopo City which includes: the total number of students, and the daily test scores of class XI students. Before use, the questionnaire instrument is validated by an expert.

The data were analyzed using the structural equation model (SEM) method with AMOS 24 application. The analysis included descriptive statistical analysis, inferential statistics (normality test, homogeneity test, research hypothesis test: multiple correlation statistics). Descriptive statistical analysis is intended to describe data collection, data preparation, data processing, and presentation. Data in tabular form, in order to provide an orderly, concise and clear picture of a situation or event.

Before testing the hypothesis in SEM analysis, it is done first; (1) data validity and reliability (2) normality test and (3) multicollinearity test. The results of validity and

**Commented [WU13]:** mohon diperbaiki penulisan untuk symbol statistiknya

**Commented [WU14]:** ANda harus cek uji prasyart utk SEM

reliability testing were carried out using confirmatory factor analysis on each latent variable such as X11, X12, X13, X21, X22, X23. Based on the test results, the six variables are declared valid and reliable, marked by a cut of value of the construct reliability of at least 0.7.

Normality testing of data on all variables, both univariate and multivariate, can be seen in skewness and kurtosis. Statistically, it is described that the data is normal if the critical ratio (CR) is between -1.96 and 1.96, thus the overall data on all the variables of this study are said to be normally distributed because the CR value is 1.851. In addition, the Z score for each data was not found outliers, namely z-score  $\geq$  3.0. The results of multicollinearity testing on this data were found to be free of multicollinearity with the assumption that all correlation coefficients shown in the correlation matrix against indicators were below 0.85.

## Result and Discussion

The resulting model construction is based on the concept, obtained a description of the relationship between variables designed in hypothesis testing. The picture in question is presented as follows Figure 1.

**Commented [WU15]:** buat bagian terpisah antar hasil penelitian dengan pembahasan

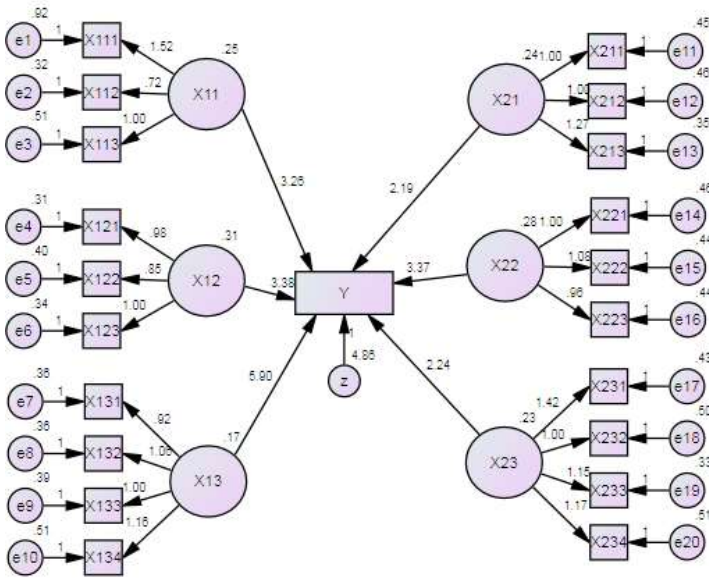


Figure 1 Achievement motivational, Responsible, Confidence, Interest, Attention, Liveliness and learning achievement.

Commented [WU16]: jelaskan makna gmabar itu

Table 2 Goodness of Fit Index

Criteria	Cut off Value	Result	Information
Chi-square	Small expect	731.613	Fit
Relative Chi-Square	≤ 2,00	1,317	Fit
RMSEA	≤ 0,08	0,061	Fit
TLI	≥ 0,95	0,963	Fit
CFI	≥ 0,95	0,970	Fit

Information

Fit

Commented [WU17]: cek aturan tabel

Based on table 2, all the goodness of fit criteria from the tested model consisting of 7 criteria have met the requirements. Thus the model developed meets the criteria so that no modification is made and can be accepted or the model fits the data. Referring to this model, the next step is to look at the relationship between variables (referring to hypothesis testing). This was done to test the significance of the relationship between variables. The test results are presented as follows.

Table 3. The results of testing the relationship between variables

Variable	Estimate	S.E.	C.R.	Significant Probability	Information
Y <--- X11	3.264	.820	3.981	***	Significant
Y <--- X12	3.380	.642	5.262	***	Significant
Y <--- X23	2.239	.663	3.377	***	Significant
Y <--- X22	3.368	.714	4.717	***	Significant
Y <--- X21	2.193	.683	3.209	.001	Significant
Y <--- X13	5.901	1.150	5.133	***	Significant

Referring to table 3, all probability (P value) of the tested relationships have a value <0.05. This shows that the relationship between variables has an influence. This research is in line with the findings of Rukmana, Hasbi, & Paloloang (2016) who found that students' AQ in learning certainly has an effect on their mathematics learning outcomes, because in learning mathematics students are required to be able to solve math problems related to life. The same thing was expressed by Qondias (2016) who stated that student learning outcomes were directly contributed by the adversity quotient. Students with high AQ in learning, especially in mathematics, will do more effort and motivation than those who have low AQ (Nurhayati & Fajrianti, 2015; U.S., 2015). This is what leads students to better and more satisfying achievement or learning outcomes. This is reinforced by the opinion that AQ intelligence helps a person face various challenges in life so that they can survive and achieve success (Santos, 2012).

Masfingatin (2013) said that Adversity Quotient (AQ) affects students' thought processes in solving math problems so that in AQ learning students need to be considered. The thinking process of students in solving math problems varies according to their AQ level so that in problem-solving learning it is necessary to emphasize an individual approach based on the AQ level of students. In mathematics learning, students' AQ level is reflected in the application of assimilation, accommodation, and abstraction thinking processes in each stage of problem-solving (Sari et al., 2016).

Yanti & Syazali (2016) stated that the greater the AQ value, the greater the intelligence in facing difficulties. Usually those who have high scores, are people who are experienced or have experienced a high level of difficulty but can survive until

success. This is related to the confidence that students have regarding the control dimension in their AQ intelligence. Students who have self-control in the learning process will have confidence in their abilities to achieve success (Suryadi & Santoso, 2017).

Stoltz argues that students who have high Adversity Quotient (AQ) will direct all the potential they have to achieve or be able to provide the best results, and will always be motivated to achieve (Setyaningtyas Endah, 2013). They will do the best possible task, including seeking information and taking advantage of the opportunities that are available in his life. Therefore, students who have high Adversity Quotient will have the motivation to achieve the achievements they want to achieve.

The results of this study also show that interest in learning has a significant relationship with learning achievement. someone who has a high interest in learning will be able to follow the learning process well so that he will be able to produce the best performance in learning, especially in mathematics (Lee et al., 2014).

Anggraini (2013) argues, what attracts and needs children, will attract their attention, thus they will be serious in learning. Thus the learning process will run smoothly if accompanied by an interest in learning so that it can affect the quality of student learning outcomes achievement. Students who have an interest in learning will affect their learning achievement.

The results of the study were also strengthened by research Erten & Burden (2014) in which student interest in learning was directly proportional to student achievement. The existence of an interest in learning that arises from students increases student motivation to study even harder in order to be able to achieve the expected goals. However, to increase student interest in learning, an appropriate learning strategy is needed so that creativity from the teacher is needed to create a conducive learning atmosphere.

Students who are interested in a subject will gain learning achievement. This is related to the motivation they have (Rotgans & Schmidt, 2011). Learning interest directs students to stay focused on learning, do the task as well as possible, persevere and try as much as possible even though they are faced with difficult assignments, are more active in participating in learning and use problem-solving processing strategies to improve conceptual understanding of the material being taught

The results of this study are in line with research conducted by Wardiana et al. (2014) and Arby & Ariyanto (2016) where it was found that learning achievement was influenced by adversity quotient and student interest in learning. AQ is an attitude where a person can withstand difficulties and obstacles when he is experiencing failure. The higher the AQ a student has, the higher the resistance the student will

have if he gets into trouble in his life. While interest is a person's interest in carrying out activities, the higher and increasing, the student will not feel satisfied about what is learned and will continue to learn to fulfill his curiosity. Thus, when a student has AQ and a high interest in learning, the student's learning achievement will also increase.

Furthermore, to find out the magnitude of the influence between the variables being tested, it can be seen in table 4 below:

Table 4. Influence coefficients

	Variable	Estimate
Y <---	X11	.346
Y <---	X12	.396
Y <---	X23	.227
Y <---	X22	.381
Y <---	X21	.227
Y <---	X13	.508

Based on table 4, the table shows that the Confidence (X13) variable has the greatest relationship, namely 0.508, while the smallest relationship is shown by the relationship between Interest (X21) and Liveliness (X23) on achievement with a coefficient of 0.227. From these results also indicate that the AQ factor is more influential than the interest factor, this is indicated by the three variables that build AQ have an average coefficient above 0.3. This means that mathematics learning achievement is not enough with interest alone, but requires an adversity question (AQ), especially on self-confidence. This finding is in line with the research of Rustan & Bahru (2018) which shows that student self-confidence has an effect on student academic achievement. The emergence of students' self-confidence creates a sense of security to provoke students to communicate which can be seen from the activity of students in teaching and learning activities (Abdallah & Ahmed, 2015). The disruption of student self-confidence affects student interest and motivation so that academic success is also disrupted (Gormally et al., 2009).

### Conclusion

Adversity Quotient and interest in learning have a positive and significant relationship with learning achievement. The significance value of each AQ variable

which includes achievement motivation, responsibility and self-confidence and interest in learning in the form of interest, attention, and liveliness each has a value of  $p = <0.05$ . This study proves that the confidence variable has the greatest relationship, namely 0.508, while the smallest relationship is shown by the relationship between Interest and Liveliness on achievement with a coefficient of 0.227. This study also shows that AQ is more influential than interest, this is indicated by the three variables that build AQ have an average coefficient above 0.3. Thus, in improving students' mathematics learning achievement, interest is not enough but requires an adversity question (AQ), especially to increase students' self-confidence.

## References

- Abdallah, S. A. A., & Ahmed, A. G. A. (2015). The Impact of Self Confidence on EFL Sudanese Tertiary Level Students. *International Journal of Information Research and Review*, 2(09), 1093–1106.
- Anggraini, E. (2013). Hubungan antara Minat Belajar dan Fasilitas Belajar Siswa dengan Prestasi Belajar Sosiologi Siswa Kelas XI IPS Sman 3 Surakarta Tahun Pelajaran 2013/2014. *Sosialitas: Jurnal Ilmiah Pendidikan Sosiologi-Antropologi*, 13662.
- Arby, N. T., & Ariyanto, M. P. (2016). *Kontribusi Minat Belajar Dan Adversity Quotient Terhadap Hasil Belajar Matematika Siswa Kelas Xi Ipa Man 1 Surakarta Tahun Pelajaran 2014/2015*. Universitas Muhammadiyah Surakarta.
- Cornista, G. A. L., & Macasaet, C. J. A. (2013). *Adversity Quotient® and Achievement Motivation of Selected Third Year and Fourth Year Psychology Students of De La Salle Lipa, AY 2012-2013*. Philippines: De La Salle Lipa, Batangas.
- Dan, Y., & Todd, R. (2014). Examining the mediating effect of learning strategies on the relationship between students' history interest and achievement. *Educational Psychology*, 34(7), 799–817.
- Darmawan, M., Budiyo, B., & Pratiwi, H. (2019). Mathematics learning achievement of vocational high school students' viewed by adversity quotient. *Journal of Physics: Conference Series*, 1157(4). <https://doi.org/10.1088/1742-6596/1157/4/042121>
- Effendi, M., Mohd, E., Khairani, A. Z., & Razak, N. A. (2015). The Influence of AQ on the Academic Achievement among Malaysian Polytechnic Students. *International Education Studies*, 8(6), 69–74. <https://doi.org/10.5539/ies.v8n6p69>
- Erten, I. H., & Burden, R. L. (2014). The relationship between academic self-concept, attributions, and L2 achievement. *System*, 42, 391–401. <https://doi.org/10.1016/j.system.2014.01.006>
- Gormally, C., Brickman, P., Hallar, B., & Armstrong, N. (2009). Effects of Inquiry-Based Learning on Students' Science Literacy Skills and Confidence. *International Journal for*

*the Scholarship of Teaching and Learning*, 3(2), 16.

- Islamiah, I. D. (2019). Pengaruh Minat Belajar Siswa Terhadap Prestasi Belajar Matematika Di SMKN 1 Cihampelas. *Journal on Education*, 1(2), 451–457.
- Lee, W., Lee, M. J., & Bong, M. (2014). Testing interest and self-efficacy as predictors of academic self-regulation and achievement. *Contemporary Educational Psychology*, 39(2), 86–99. <https://doi.org/10.1016/j.cedpsych.2014.02.002>
- Masfingatin, T. (2013). Proses berpikir siswa sekolah menengah pertama dalam memecahkan masalah matematika ditinjau dari adversity quotient. *JIPM (Jurnal Ilmiah Pendidikan Matematika)*, 2(1).
- Nini, S. (2011). *Mengatasi Kesulitan Belajar Pada Anak*. Javalitera.
- Nurhayati, N., & Fajrianti, N. (2015). Pengaruh Adversity Quotient (AQ) dan Motivasi Berprestasi terhadap Prestasi Belajar Matematika. *Formatif: Jurnal Ilmiah Pendidikan MIPA*, 3(1), 72–77. <https://doi.org/10.30998/formatif.v3i1.110>
- Pangma, R., Tayraukham, S., & Nuangchale, P. (2009). Causal Factors Influencing Adversity Quotient of Twelfth Grade and Third-Year Vocational Students. *Journal of Social Sciences*, 5(4), 466–470. <https://doi.org/10.3844/jssp.2009.466.470>
- Qondias, D. (2016). Determinasi Adversity Quotient terhadap Hasil Belajar IPS. *Jurnal Pendidikan Dasar PerKhasa*, 2(April), 126–132. <http://jurnal.stkipppersada.ac.id/jurnal/index.php/JPDP/article/view/25>
- Rotgans, J. I., & Schmidt, H. G. (2011). Situational interest and academic achievement in the active-learning classroom. *Learning and Instruction*, 21(1), 58–67. <https://doi.org/10.1016/j.learninstruc.2009.11.001>
- Rukmana, I., Hasbi, M., & Paloloang, B. (2016). Hubungan Adversity Quotient Dengan Hasil Belajar Matematika Siswa Kelas XI SMA Negeri Model Terpadu Madani Palu. *Jurnal Elektronik Pendidikan Matematika Tadulako*, 3(3), 325–333.
- Rustan, E., & Bahru, M. S. (2018). Strengthening Self Confidence in Mathematics Learning through Suggestopedia Method. *Al-Khwarizmi: Jurnal Pendidikan Matematika Dan Ilmu Pengetahuan Alam*, 6(1), 1–14.
- Santos, M. C. J. (2012). Assessing The Effectiveness Of The Adapted Adversity Quotient Program In A Special Education School. *Researchers World - Journal of Arts, Science & Commerce*, 4(2), 13–23.
- Sari, C. K., Sutopo, & Aryuna, D. R. (2016). The Profile of Students' Thinking in Solving Mathematics Problems Based on Adversity Quotient. *Journal of Research and Advances in Mathematics Education*, 1(1), 36–48.
- Setyaningtyas Endah. (2013). *Hubungan antara Adversity quotient dengan prestasi belajar mahasiswa kebidanan*. Universitas Sebelas Maret.



- Shen, C. (2014). A Study Investigating the Influence of Demographic Variables on Adversity Quotient. *The Journal of Human Resource and Adult Learning*, 10(1), 22–32.
- Siagian, R. E. F. (2013). Pengaruh Minat dan Kebiasaan Belajar Siswa terhadap Prestasi Belajar Matematika. *Jurnal Formatif*, 2(2), 122–131.
- Suryadi, B., & Santoso, T. I. (2017). Self-Efficacy, Adversity Quotient, and Students' Achievement in Mathematics. *International Education Studies*, 10(10), 12–19. <https://doi.org/10.5539/ies.v10n10p12>
- Thomas, S. (2012). *A Study of Adversity Quotient of Secondary School Students in Relation to their Academic Self Concept and Achievement Motivation* (Issue August 2012). University of Mumbai.
- U.S., S. (2015). Pengaruh Adversity Qoutient terhadap Prestasi Belajar Matematika. *Formatif: Jurnal Ilmiah Pendidikan MIPA*, 3(1), 61–71. <https://doi.org/10.30998/formatif.v3i1.112>
- Vinas, D. K. D., & Aquino-malabanan, M. G. (2015). Adversity Quotient and Coping Strategies of College Students in Lyceum of the Philippines University. *Asia Pacific Journal of Education, Arts and Sciences*, 2(3), 68–72.
- Wardiana, I. P. A., Wiarta, I. W., & Zulaikha, S. (2014). Hubungan Antara Adversity Quotient dan Minat Belajar dengan Prestasi Belajar Matematika pada Siswa Kelas V SD Di Kelurahan Pedungan. *Jurnal Mimbar PGSD Universitas Pendidikan Ganesha*, 2(1).
- Yanti, A. P., & Syazali, M. (2016). Analisis proses berpikir siswa dalam memecahkan masalah matematika berdasarkan langkah-langkah Bransford dan Stein ditinjau dari Adversity Quotient. *Al-Jabar: Jurnal Pendidikan Matematika*, 7(1), 63–74.